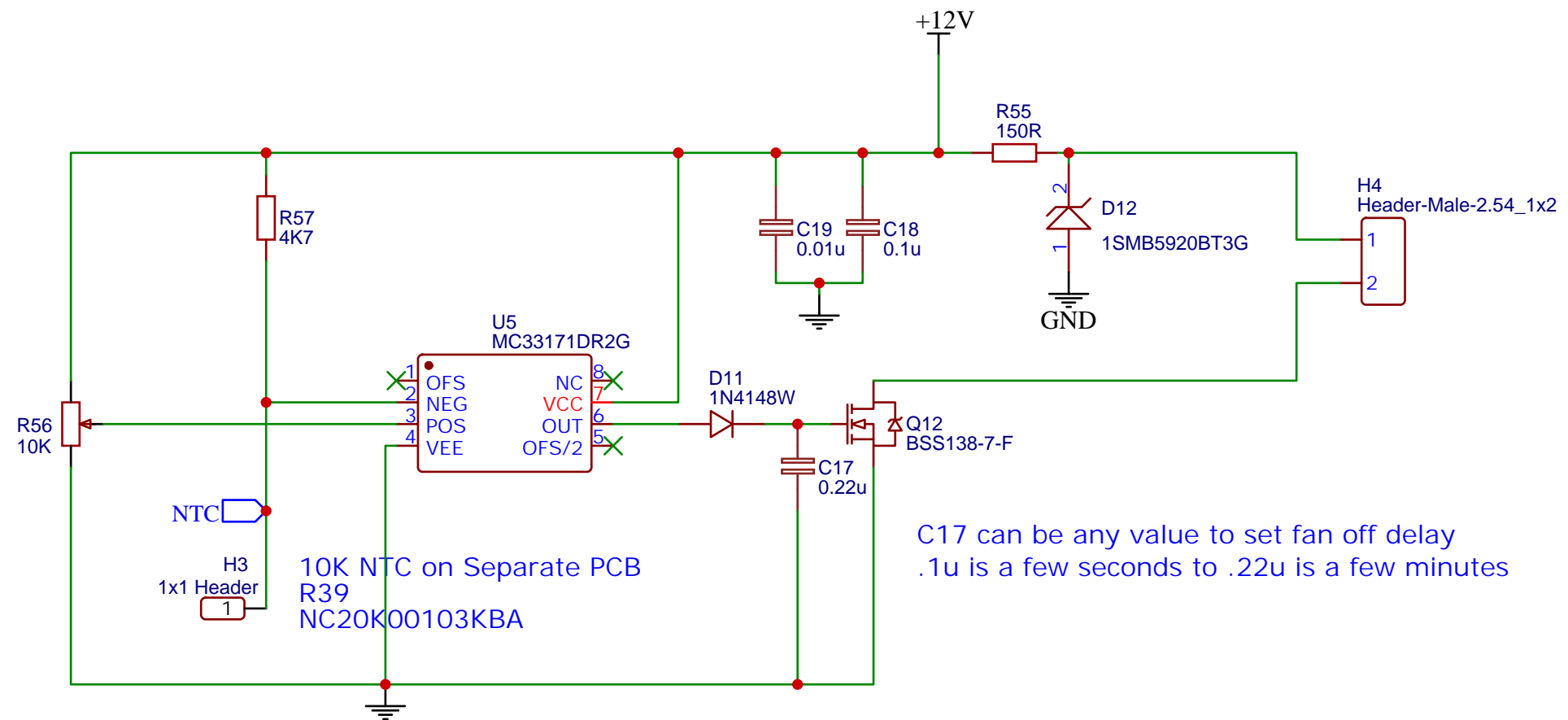
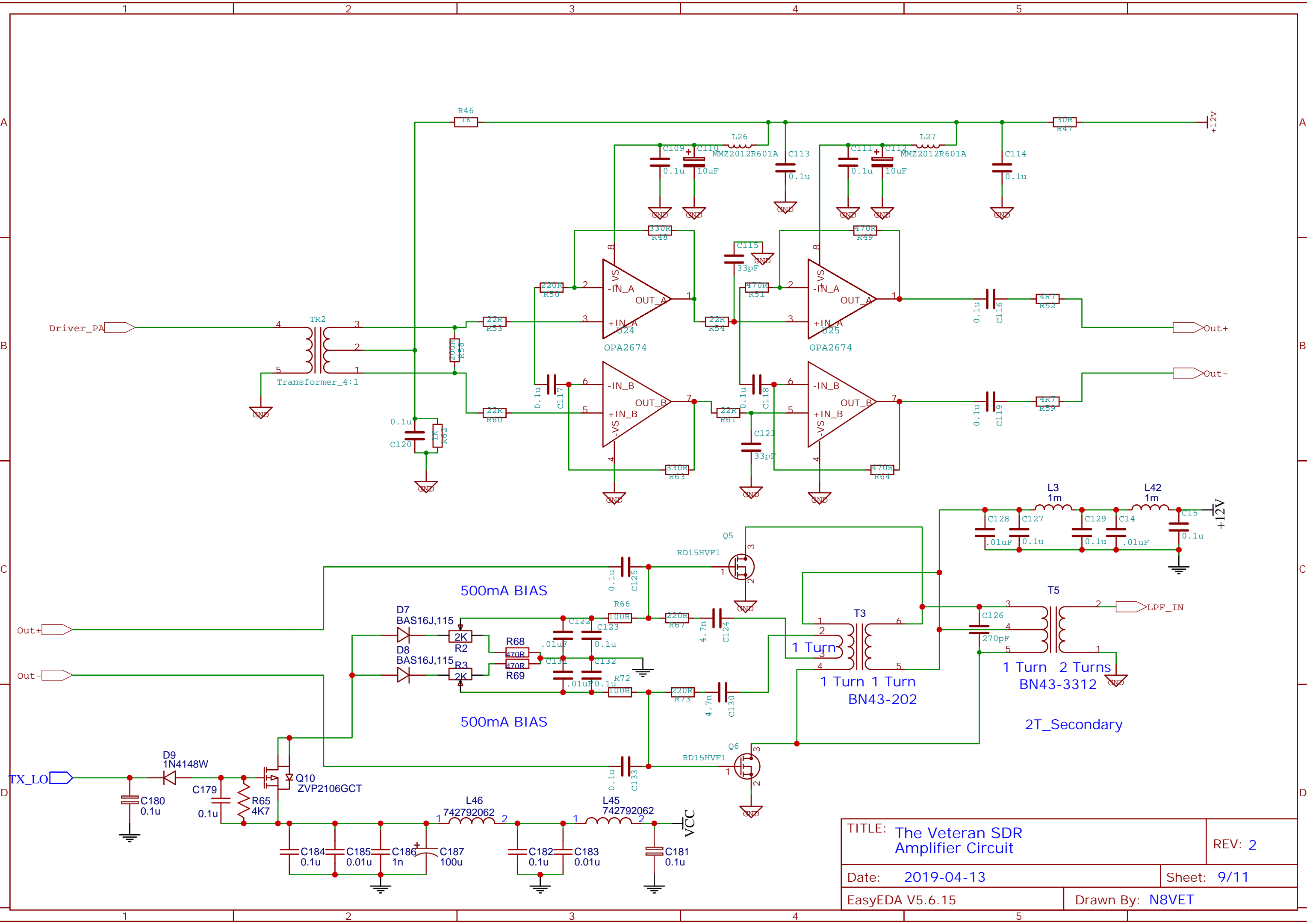


Set To
Volts 7.4V
Fan On at 45C

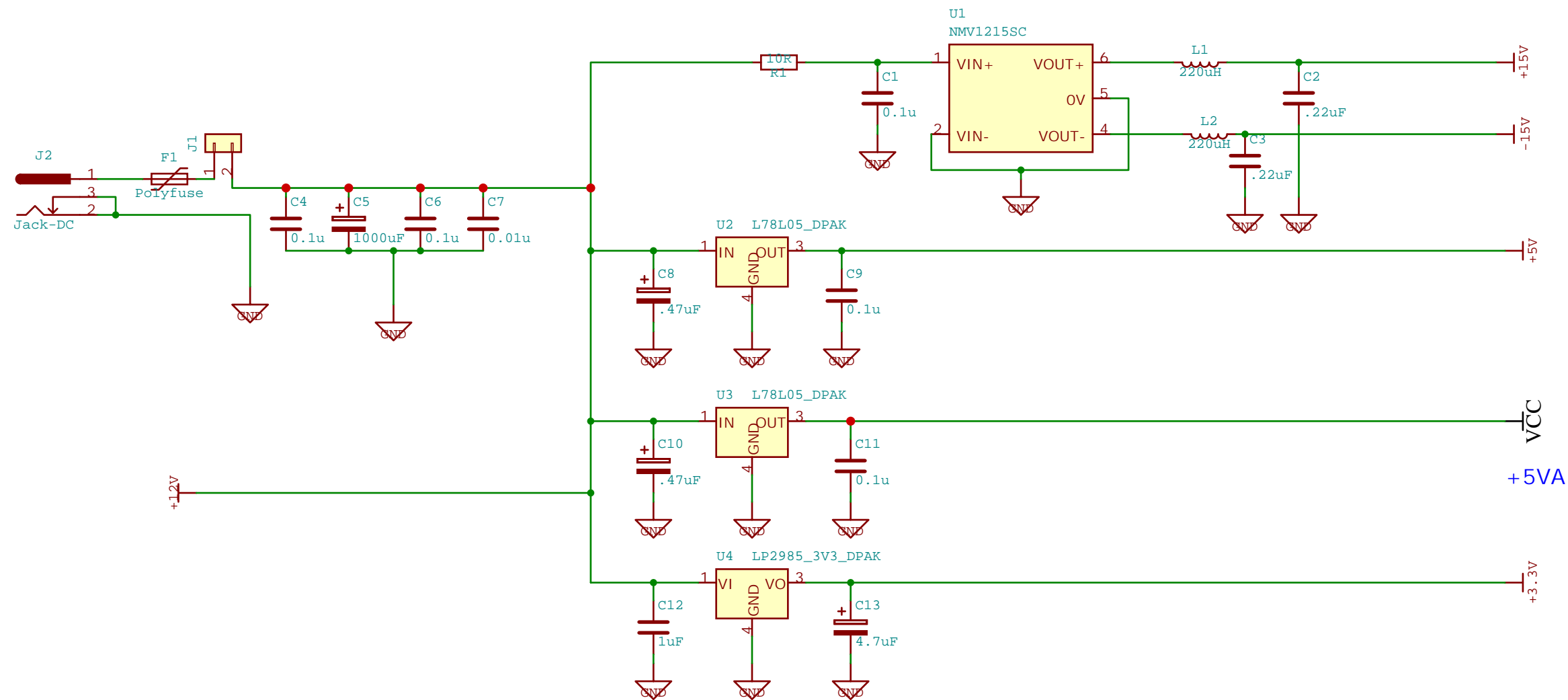


C17 can be any value to set fan off delay
.1u is a few seconds to .22u is a few minutes

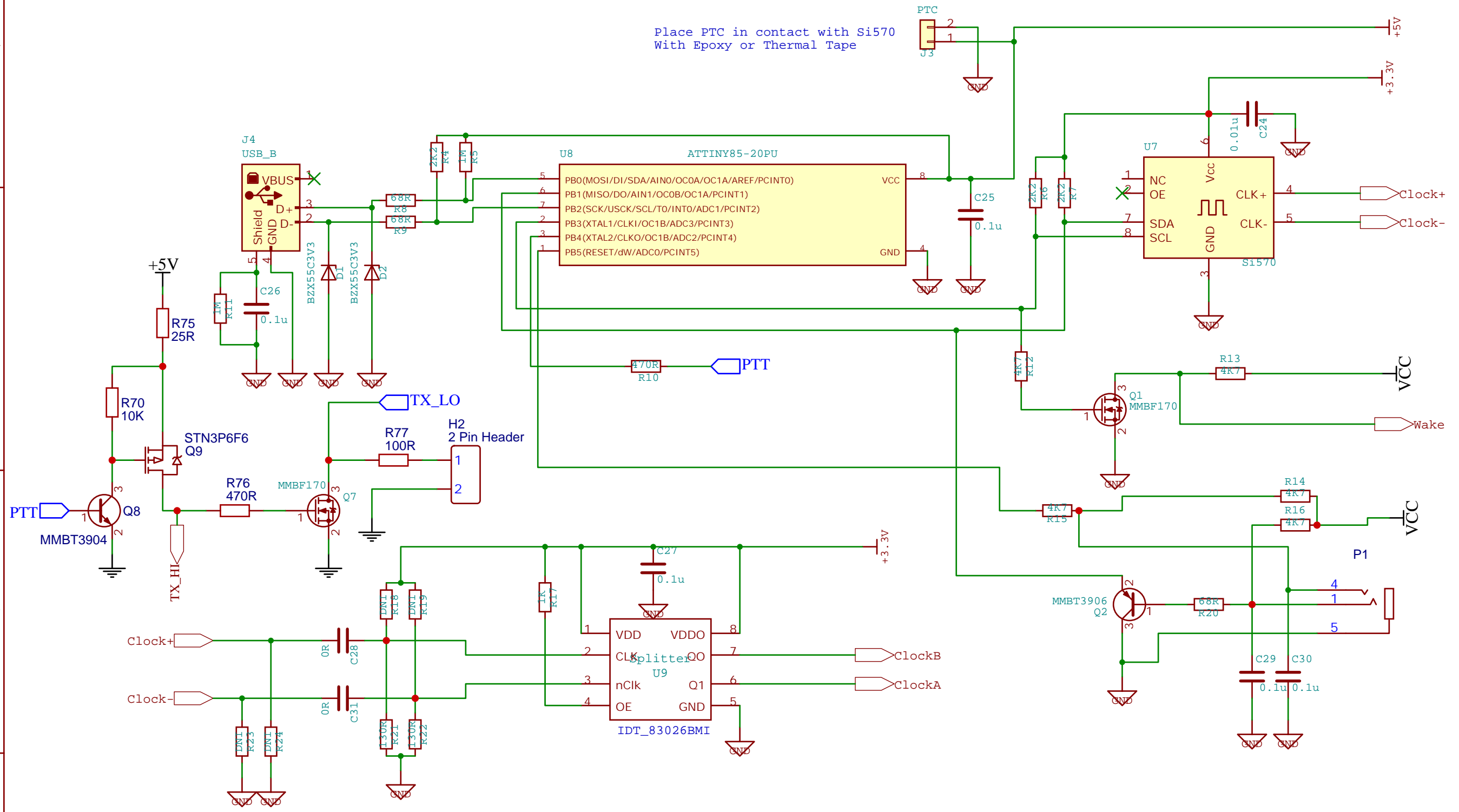
TITLE: Fan Controller		REV: 1.0
EasyEDA	Company: Your Company	Sheet: 11/11
	Date: 2019-01-31	Drawn By: stewpitou



TITLE: The Veteran SDR Amplifier Circuit		REV: 2
Date: 2019-04-13		Sheet: 9/11
EasyEDA V5.6.15		Drawn By: N8VET



TITLE: The Veteran SDR Power Circuit		REV: 2
Date: 2019-04-13		Sheet: 1/11
EasyEDA V5.6.15		Drawn By: N8VET

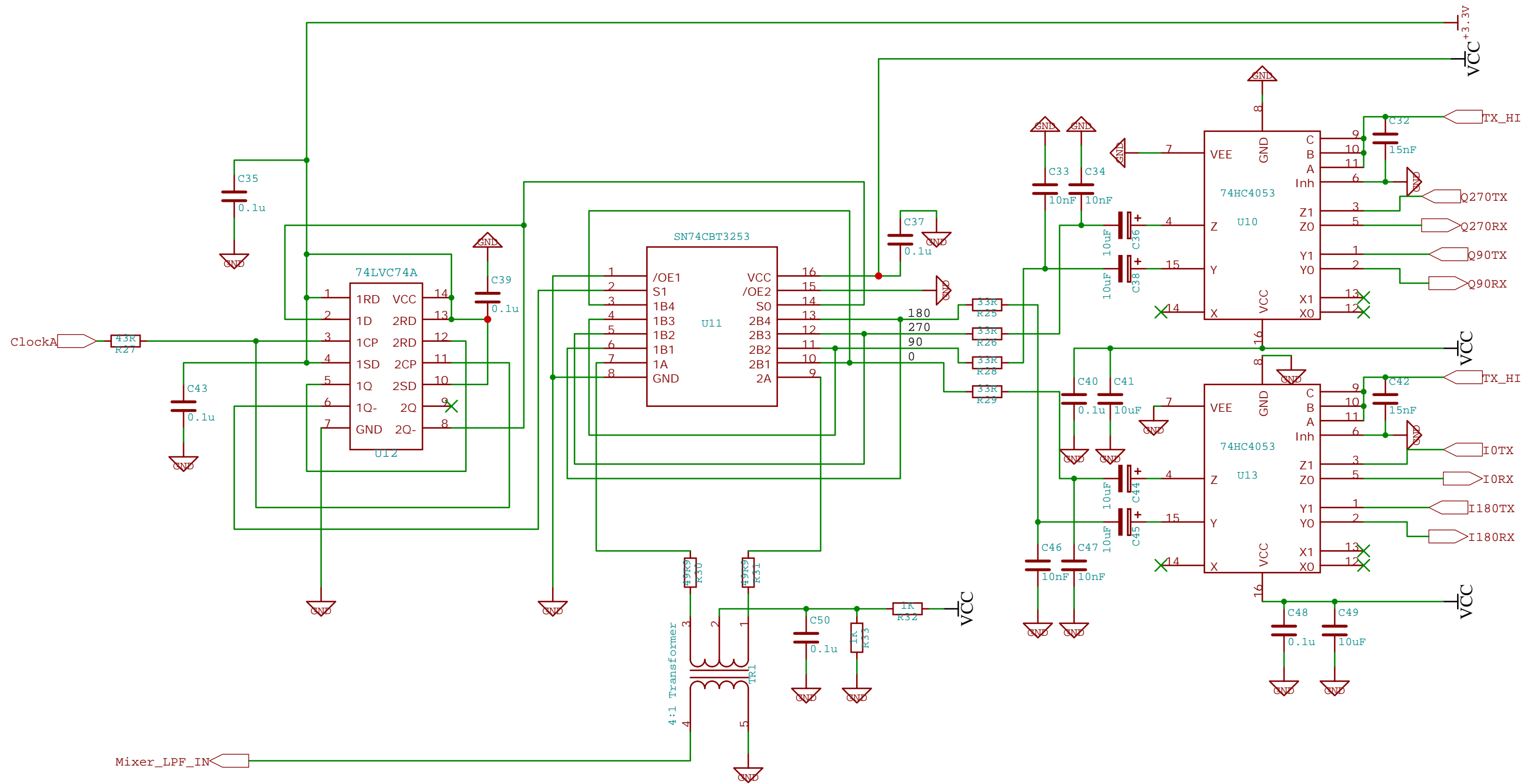


Place PTC in contact with Si570
With Epoxy or Thermal Tape

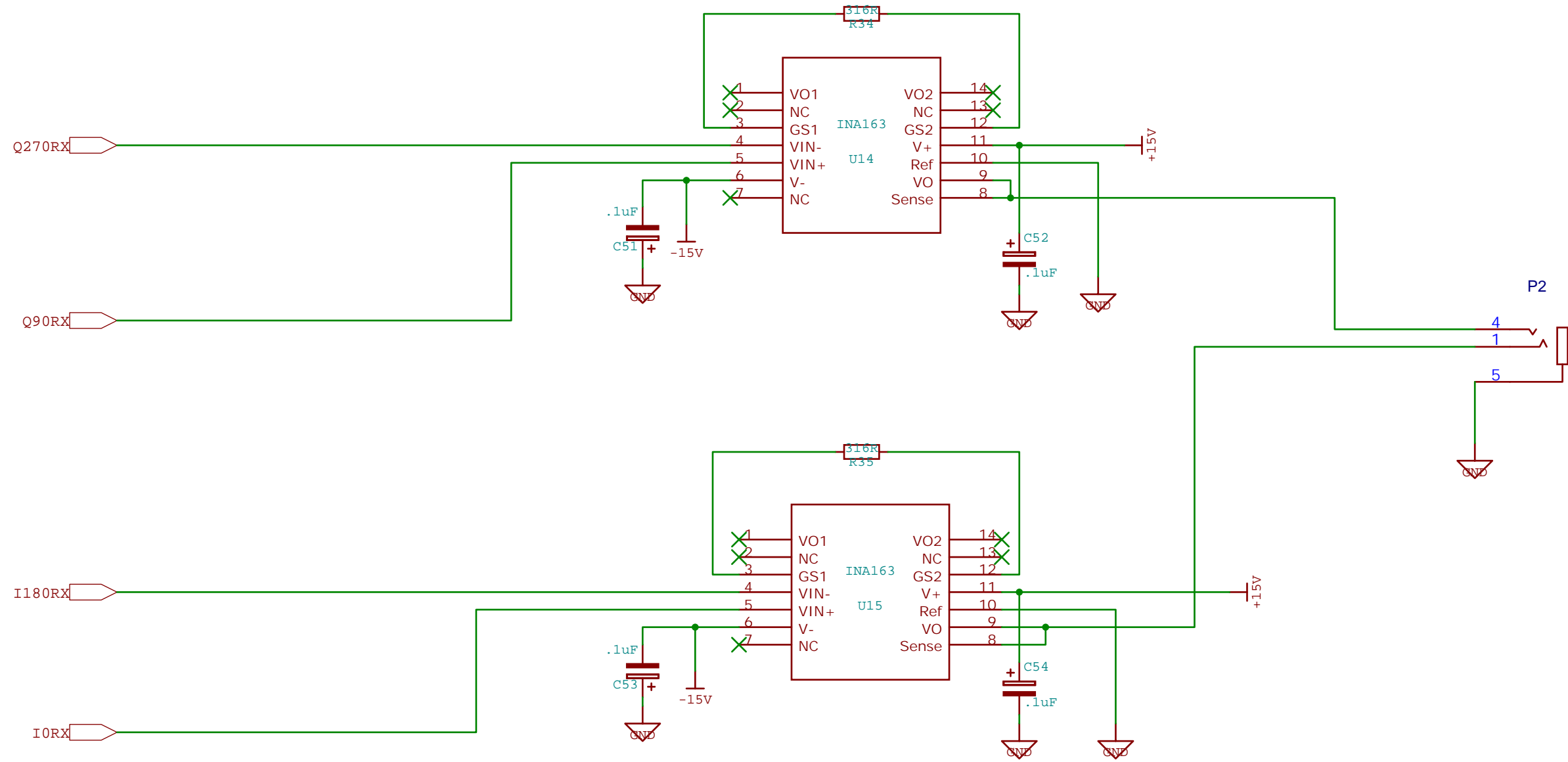
Components for different Oscillators

LVPECL(Std) R21, R22-130R; C31, C28--0R; R24, R18, R19, R23--DNI
 LVDS C31, C28--0R; The rest DNI
 CMOS C31--0R; C28--.1uF; R23--.1uF; R21--1K, R18--1K2; The rest DNI

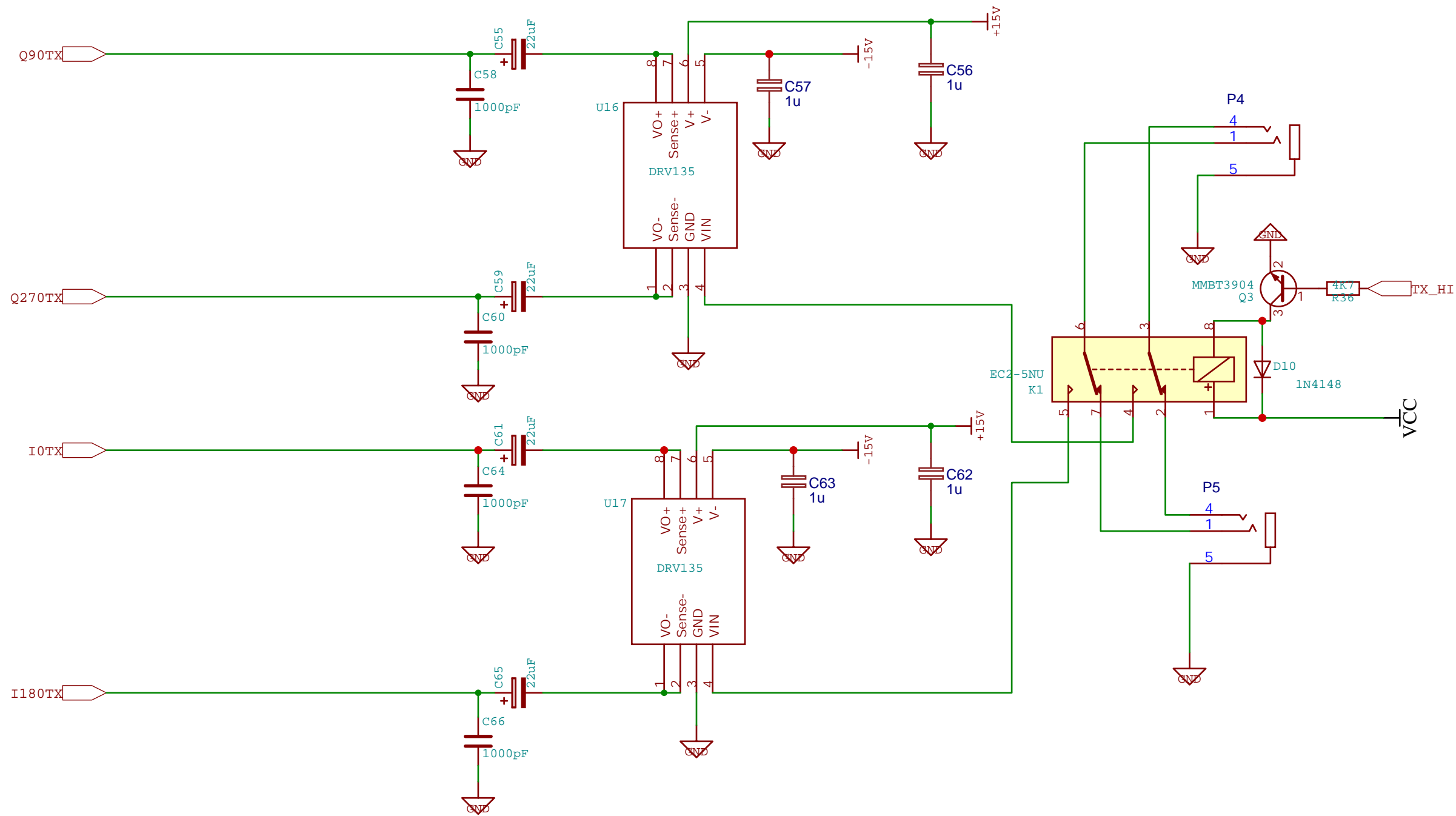
TITLE: The Veteran SDR Oscillator Circuit		REV: 2
Date: 2019-04-13		Sheet: 2/11
EasyEDA V5.6.15	Drawn By: N8VET	



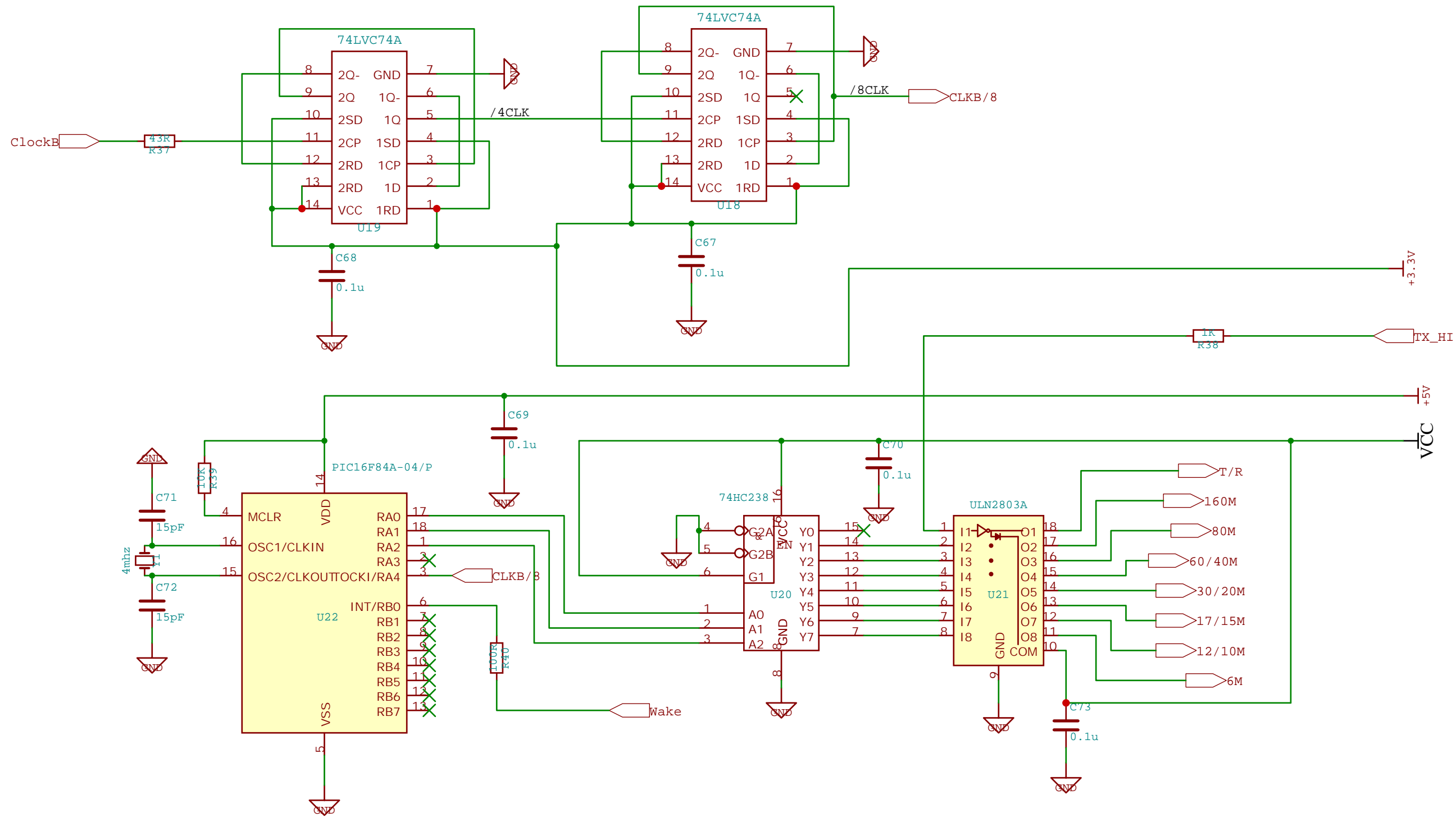
TITLE: The Veteran SDR Mixer Circuit		REV: 2
Date: 2019-04-13		Sheet: 3/11
EasyEDA V5.6.15		Drawn By: N8VET



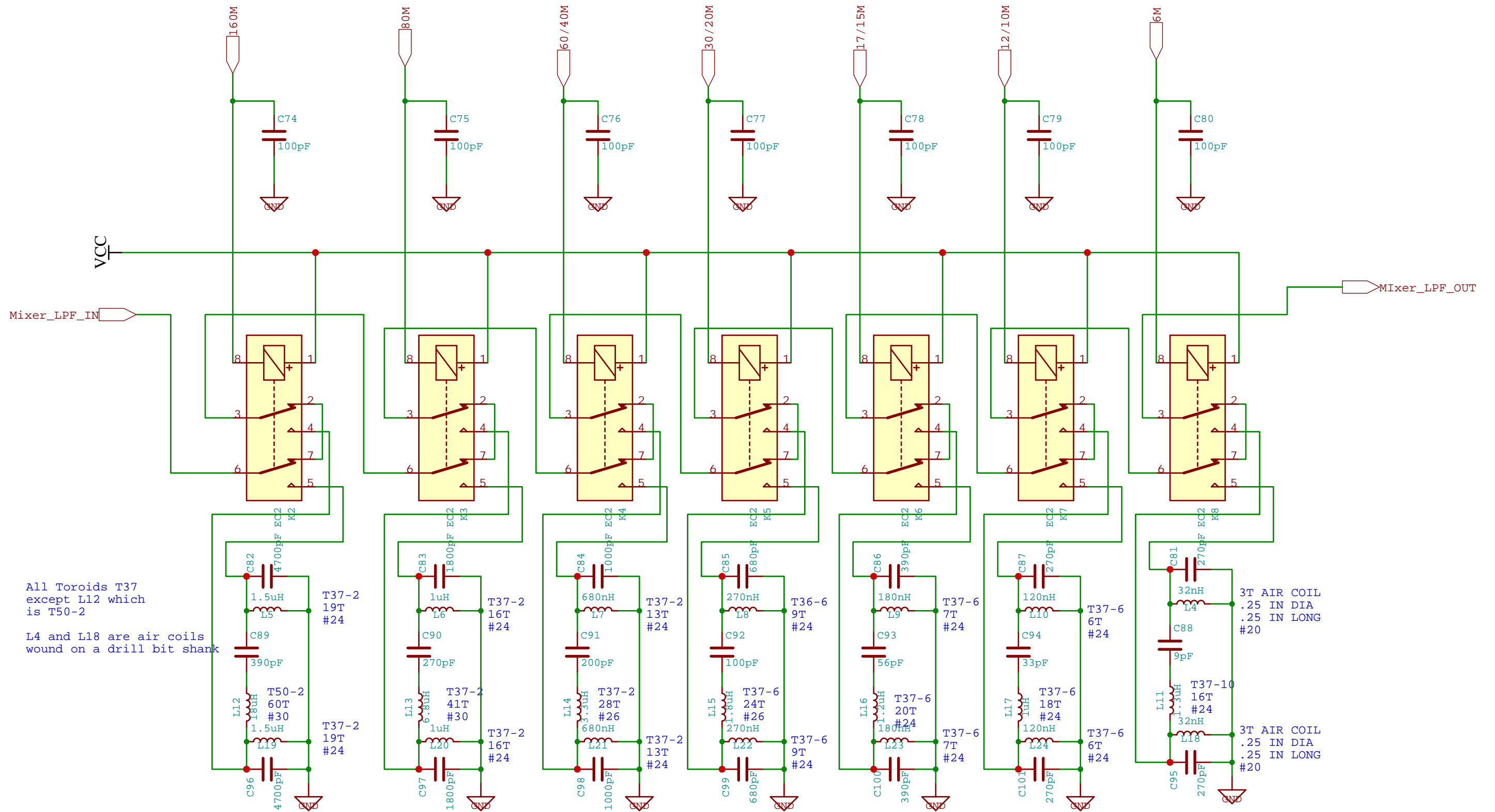
TITLE: The Veteran SDR RX Circuit		REV: 2
Date: 2019-04-13	Sheet: 4/11	
EasyEDA V5.6.15	Drawn By: N8VET	



TITLE: The Veteran SDR TX Circuit		REV: 2
Date: 2019-04-13	Sheet: 5/11	
EasyEDA V5.6.15	Drawn By: N8VET	



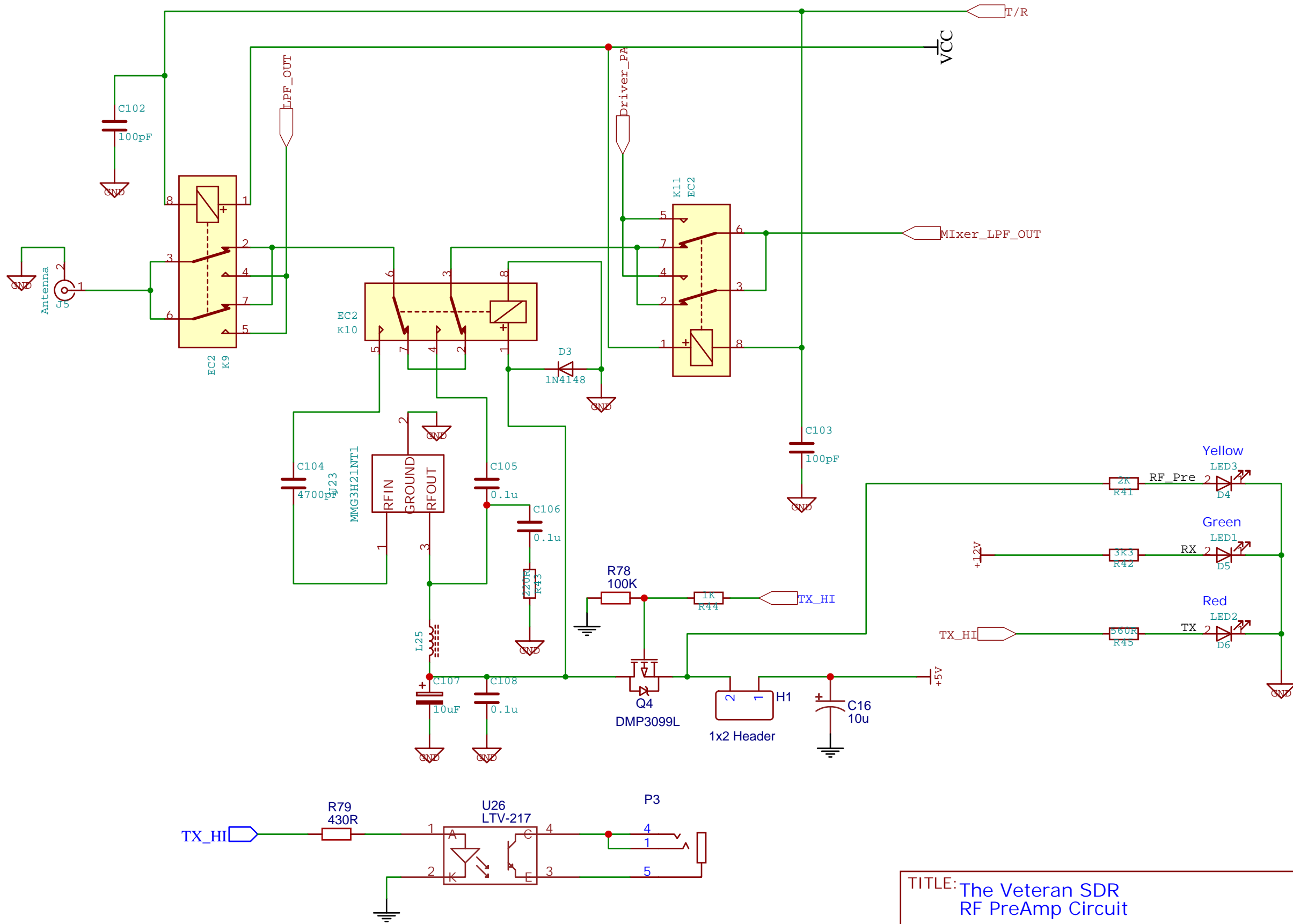
TITLE: The Veteran SDR Filter Preselector Circuit		REV: 2
Date: 2019-04-13		Sheet: 6/11
EasyEDA V5.6.15	Drawn By: N8VET	



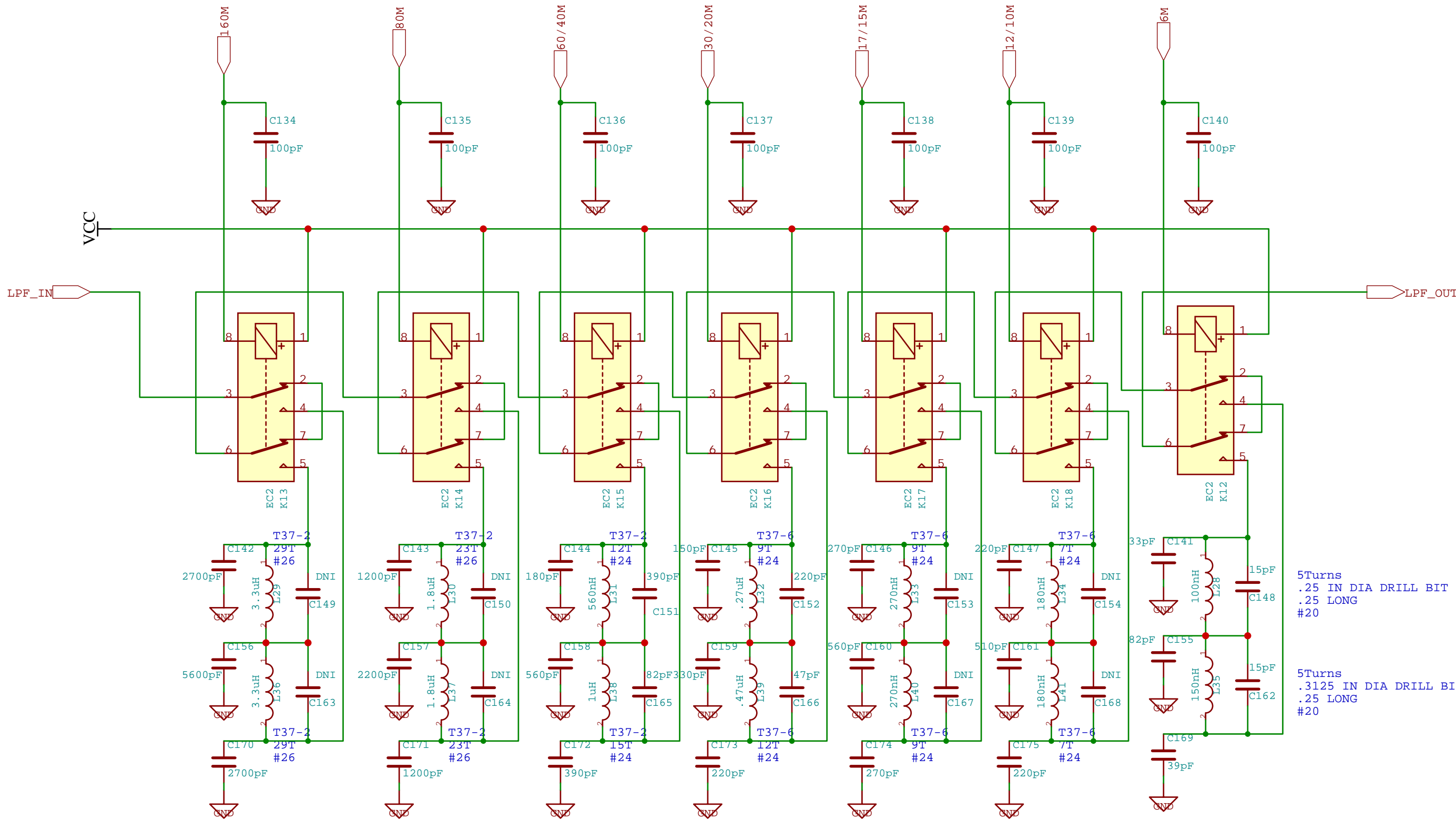
All Toroids T37
except L12 which
is T50-2

L4 and L18 are air coils
wound on a drill bit shank

TITLE: The Veteran SDR BPF Circuit		REV: 2
Date: 2019-04-13	Sheet: 7/11	
EasyEDA V5.6.15	Drawn By: N8VET	



TITLE: The Veteran SDR RF PreAmp Circuit		REV: 2
Date: 2019-04-13	Sheet: 8/11	
EasyEDA V5.6.15	Drawn By: NBVET	



5Turns
.25 IN DIA DRILL BIT
.25 LONG
#20

5Turns
.3125 IN DIA DRILL BIT
.25 LONG
#20

TITLE: The Veteran SDR LPF Circuit		REV: 2
Date: 2019-04-13		Sheet: 10/11
EasyEDA V5.6.15	Drawn By: N8VET	